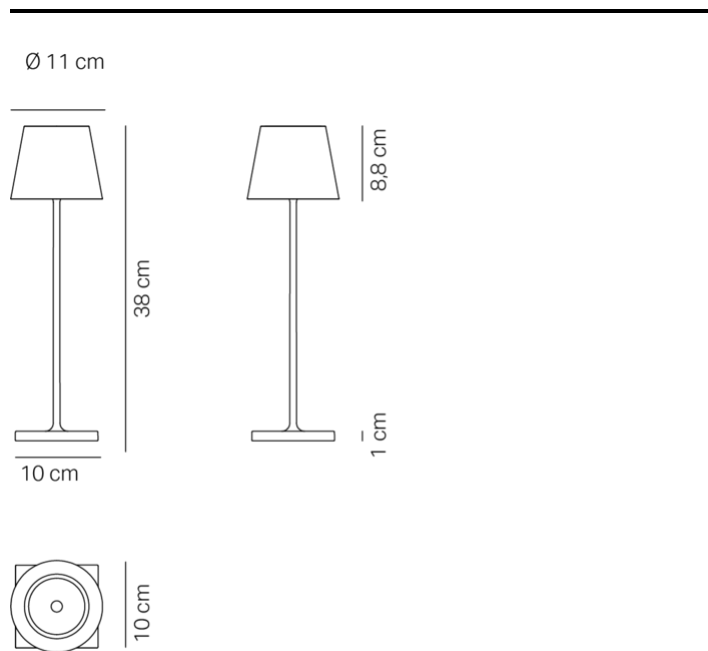


Poldina _Table lamp



Cordless, rechargeable, battery table lamp. A touch control on the top of the lamp head allows you to switch the light on, adjust its intensity and select its color temperature. And thanks to its high IP rating, the lamp can also be used outdoors. (except for models with a metallic-leaf or galvanized finish which are not recommended for continuous outdoor use). An electronic control system monitors and indicates the remaining battery power to ensure recharging is optimized and always performed correctly. The lamp comes with a contact charging base. USB charger included for LD0340 and not included for LD1340. The lamp can be customized with a ceramic cover that can be purchased separately.



LED dimmable IP65

LD1340

	Red	F3		White	B3
	Corten	R3		Dark gray	N3
	Black	D3		Sand	S3
	Sage green	G3		Pink	P3
	Avio blue	A3		Bordeaux	X3
	Dark green	M3		Ochre	H3
	Gold color leaf	BFO		Silver color leaf	BFA
<small>Not suitable for outdoor use</small>			<small>Not suitable for outdoor use</small>		
	Copper color leaf	RFR		Glossy gold	O3
<small>Not suitable for outdoor use</small>			<small>Not suitable for outdoor use</small>		
	Glossy chrome	C3			GM
<small>Not suitable for outdoor use</small>					
		GT			GZ



DESIGN IN ITALY BY ZAFFERANO SRL, MADE IN PRC

Zafferano SRL - Viale dell'Industria, 26 31055 Quinto di Treviso - Italy www.zafferanoitalia.com

Poldina _Table lamp

Lighting specifications

source	LED
type	SMD
total power	2.2 W
power LED	2.0 W
color temperature	2200 - 2700 - 3000 K
lumen lamp	185 - 199 - 203 lm
lumen LED	234 - 251 - 256 lm
beam angle	45°
CRI	> 80
class	F
dimmer	TOUCH DIMMER
motion sensor	NO

Electrical specifications

classe	3
supply voltage	5Vdc max.1A
battery	
battery life	12 H.
charging time	6/7 H.

ACCESSORIES
